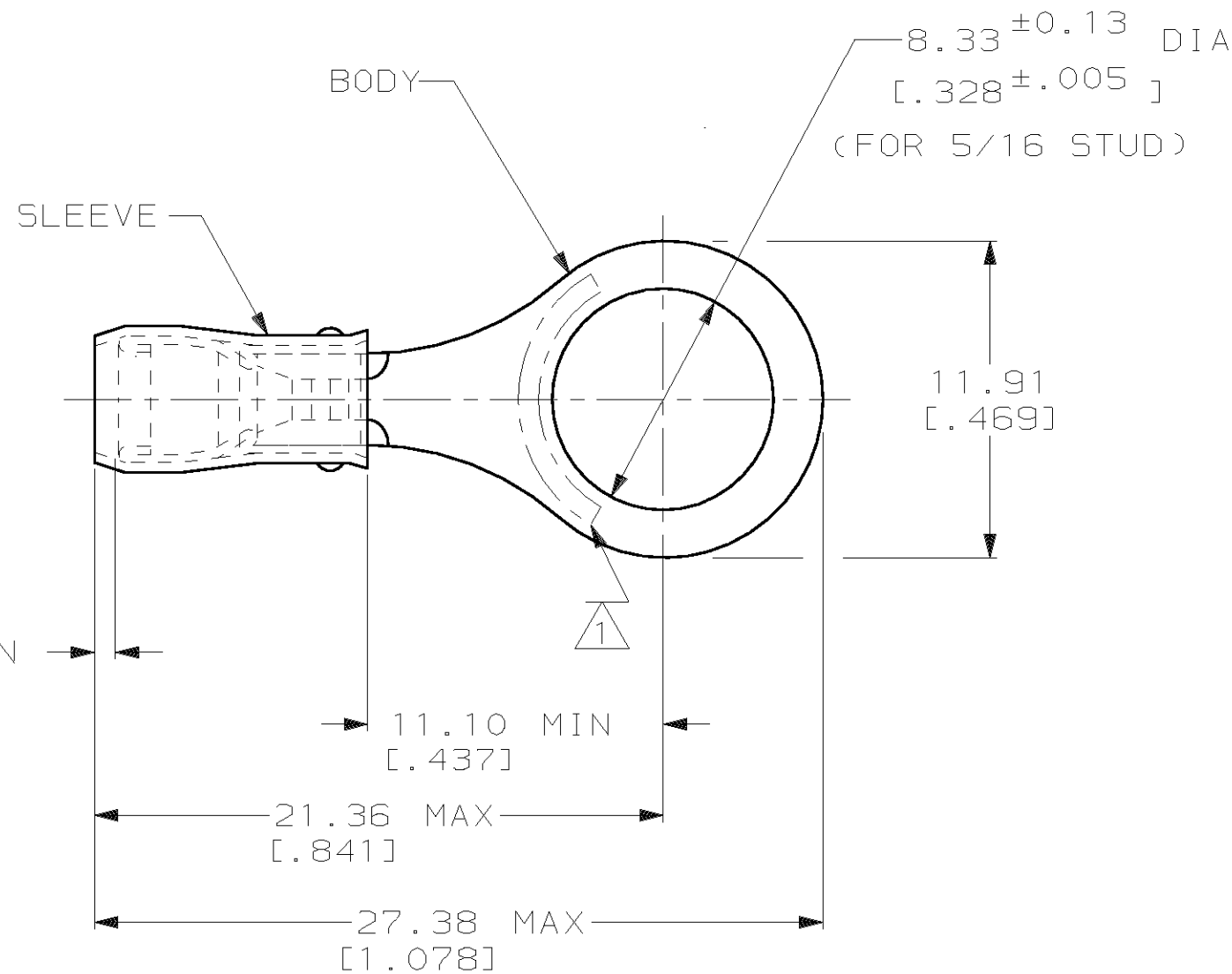


THIS DRAWING IS UNPUBLISHED. RELEASED FOR PUBLICATION ,19 .
 © COPYRIGHT 19 BY AMP INCORPORATED. ALL INTERNATIONAL RIGHTS RESERVED.

LOC	DIST	P	F	REVISIONS				
G	14			ZONE	LTR	DESCRIPTION	DATE	APPD
					AA	REV PER OG3A-0013-01	20FEB01	JR/TM



AMP WIRE RANGE	UL E13288 Listed	SR LR7189 Certified
22-16 AWG SOLID OR STRANDED	22-16 AWG SOLID OR STRANDED	22-16 AWG SOLID OR STRANDED

- 1 STAMP AMP 22-18* APPROX AS SHOWN
22-16 TERMINALS ARE STAMPED 22-18 IN
ACCORDANCE WITH MILITARY SPEC MIL-T-7928
COMMERCIAL WIRE RANGE IS 22-16
- 2 WIRE INSULATION DIA: 2.03-3.18 [.080-.125]
- 3 TONGUE MATERIAL THK: 0.79±0.05 [.031±.002]

-	100	LOOSE PIECE, BOX	8-320572-1
MS25036-104 CLASS 2	5000	ON TAPE, REEL	2-320572-1
MS25036-104 CLASS 1 & 2	1000	LOOSE PIECE	320572
MILITARY P/N AND CLASS	QUANTITY	PACKAGE TYPE	PART NO
DO NOT SCALE PRINT. UNLESS SPECIFIED DIMENSIONS IN mm [INCHES] TOLERANCES ON: 2 PLC DEC ± 0.20[.008] 3 PLC DEC ± - ANGLES ± -	DR 9/8/93 DK SCHRUM CHK 9/8/93 RE HERSEY APPD 9/8/93 ML ELLIS APPD 9/8/93 M BARNABA PRODUCT SPEC UL 486A APPLICATION SPEC NOT AVAILABLE WEIGHT -	AMP AMP Incorporated Harrisburg, PA 17105-3608 NAME TERMINAL, RING TONGUE, PIDG™, WIRE SIZE, 22-16 AWG SIZE B CAGE CODE 00779 DRAWING NO C-320572 SCALE NTS SHEET 1 OF 2	
COPPER PER ASTM B-152 SLEEVE, RED NYLON	FINISH TIN PLATE PER ASTM B 545		

**AMP INCORPORATED
CUSTOMER SERVICE SYSTEMS**

FOR ADDITIONAL PRODUCT INFORMATION OR COPIES OF DRAWINGS AND TECHNICAL DOCUMENTS	PRODUCT INFORMATION CENTER 1-800-522-6752
FOR APPLICATION TOOLING INFORMATION	TOOLING ASSISTANCE CENTER 1-800-722-1111
FOR ORDER ENTRY	1-800-526-5142

MAX RECOMMENDED OPERATING
TEMPERATURE:
105°C MAX

VOLTAGE RATING:
300 V MAX

CIRCULAR MIL AREA:
0.26-1.65mm² [509-3,260] CIR MILS
SOLID OR STRANDED

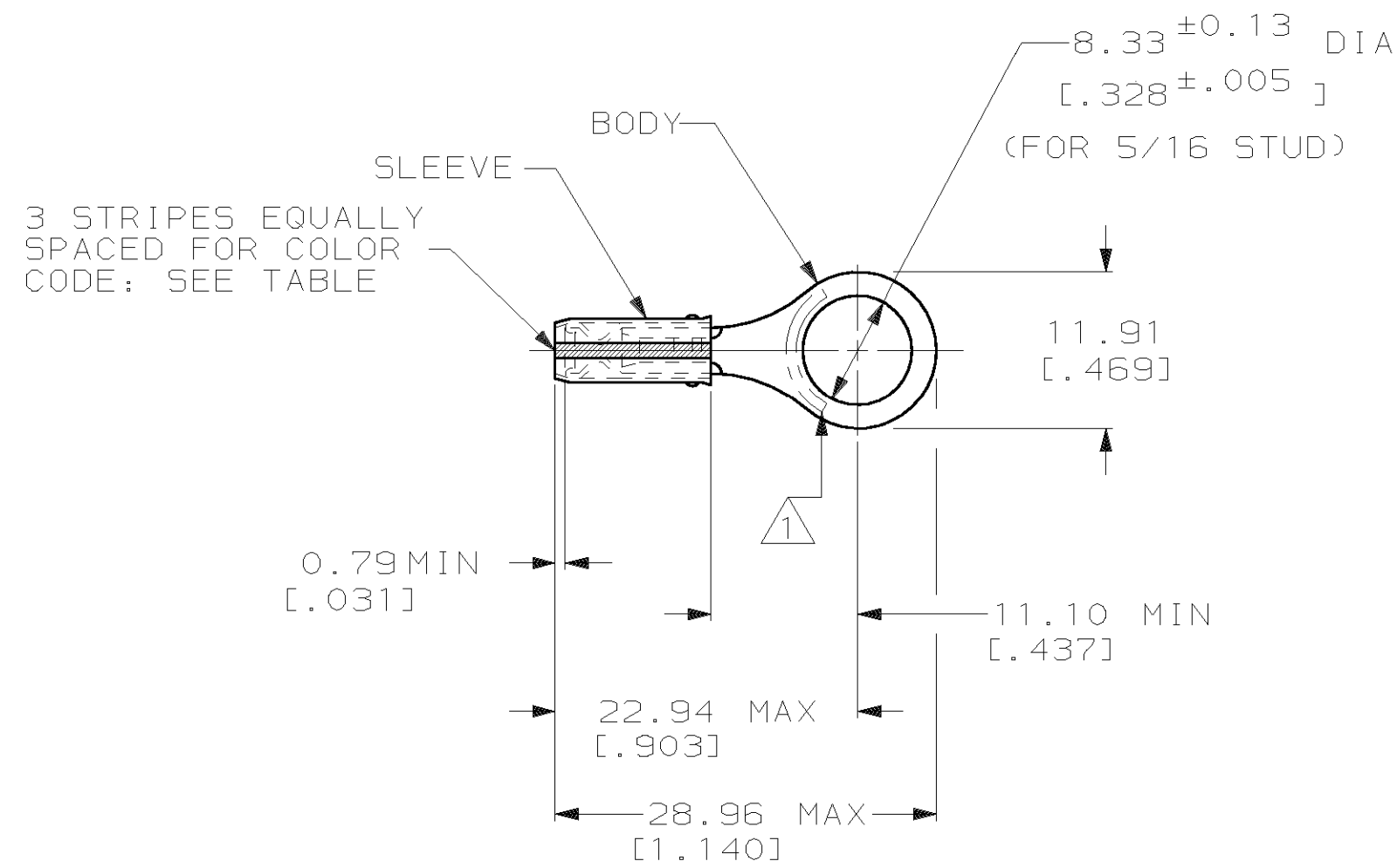
THIS DRAWING IS A CONTROLLED DOCUMENT FOR
AMP INCORPORATED. IT IS SUBJECT TO CHANGE
AND THE CONTROLLING ENGINEERING ORGANIZATION
SHOULD BE CONTACTED FOR THE LATEST REVISION.

THIS DRAWING IS UNPUBLISHED. RELEASED FOR PUBLICATION, 19 .
 © COPYRIGHT 19 BY AMP INCORPORATED. ALL INTERNATIONAL RIGHTS RESERVED.

LOC	DIST	P	F	ZONE	LTR	DESCRIPTION	DATE	APPD
G	14				AA	REV PER OG3A-0013-01	20FEB01	JR/TM

AMP
WIRE RANGE

SEE TABLE
STRANDED



- 1 STAMP AMP APPROX AS SHOWN SEE TABLE BELOW
- 2 WIRE INSULATION DIA: 0.97 - 2.79 FOR 22 AWG [.038 - .110]
 1.17 - 2.79 FOR 20 AWG [.046 - .110]
 1.42 - 2.79 FOR 18 AWG [.056 - .110]
- 3 TONGUE MATERIAL THK: 0.79±0.05 [.031±.002]
- 4 PRELIMINARY - NOT FOR PRODUCTION

-	WHITE	18*	18	5000	ON TAPE	△ 2-320572-7
M7928/1-35 CLASS 1 & 2	WHITE	18*	18	1000	LOOSE PIECE	2-320572-4
M7928/1-26 CLASS 1 & 2	RED	20*	20	1000	LOOSE PIECE	2-320572-3
M7928/1-17 CLASS 1 & 2	GREEN	22*	22	1000	LOOSE PIECE	2-320572-2

AMP INCORPORATED CUSTOMER SERVICE SYSTEMS		MAX RECOMMENDED OPERATING TEMPERATURE: 105°C MAX		MILITARY P/N AND CLASS	STRIPE COLOR	△ STAMPING	WIRE SIZE	QUANTITY	PACKAGE TYPE	PART NO
FOR ADDITIONAL PRODUCT INFORMATION OR COPIES OF DRAWINGS AND TECHNICAL DOCUMENTS		PRODUCT INFORMATION CENTER		VOLTAGE RATING: 300 V MAX		DO NOT SCALE PRINT. UNLESS SPECIFIED DIMENSIONS IN mm [INCHES] TOLERANCES ON:		AMP Incorporated Harrisburg, PA 17105-3608		
FOR APPLICATION		TOOLING ASSISTANCE CENTER		WIRE RANGE: CIRC MIL AREA		2 PLC DEC ± 0.20 [.008]		NAME		
TOOLING INFORMATION		1-800-722-1111		22 0.38mm ² [754]		3 PLC DEC ± -		TERMINAL, RING TONGUE, I.R., PIDG™, WIRE SIZE: 22-16 AWG		
FOR ORDER ENTRY		1-800-526-5142		20 0.60mm ² [1,186]		ANGLES ± -		SIZE		
				18 0.96mm ² [1,900]		MATERIAL		CAGE CODE		
				STRANDED		COPPER PER ASTM B-152 SLEEVE, RED NYLON		DRAWING NO		
						FINISH		SCALE		
						TIN PLATE PER ASTM B 545		SHEET		
								2 OF 2		